



# Type 380/390SS

## Large Flow Capacity Stainless Steel Filter Regulator and Regulator

Type-380SS Stainless Steel Filter Regulator  
Type-390SS Stainless Steel Regulator

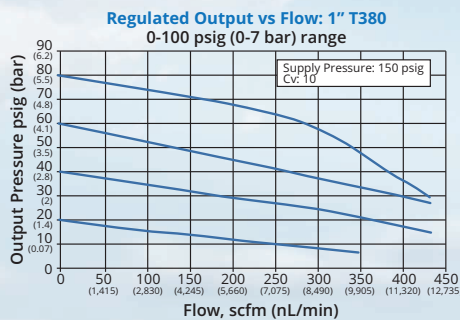
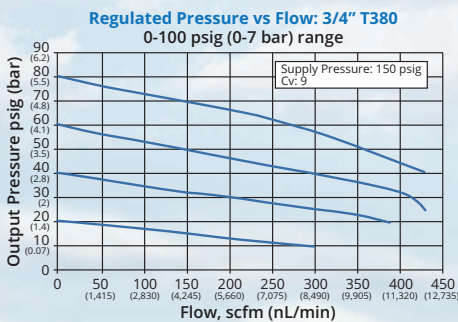
The Type 380/390SS stainless steel filter regulator series is designed for demanding applications that require stable, accurate pressure regulation and high flow capacity. Corrosion resistant 316L stainless steel housing, trim and filter assemblies make this series adaptable to offshore and other harsh environments. Large porting ensures stable and repeatable output pressures, even during wide supply pressure variations from large volume valve actuators. Oversized valving helps the units achieve high flow rates with minimal pressure drop.

### Type 380 Filter Regulator with Automatic Drain

Condensate waste liquid is automatically expelled from the bowl when the liquid reaches a specific level. The low maintenance Automatic Drain helps prolong the life of the regulator and filter by preventing corrosion on the bottom of regulator and reducing the load of the filter.

### Features

- All 316L Stainless Steel Construction
- High Flow Capacity
- 3/4" or 1" NPT Porting
- 2 Gauge Ports
- Automatic Drain Option
- Soft Seat Self Relieving Design
- Low Temperature Option

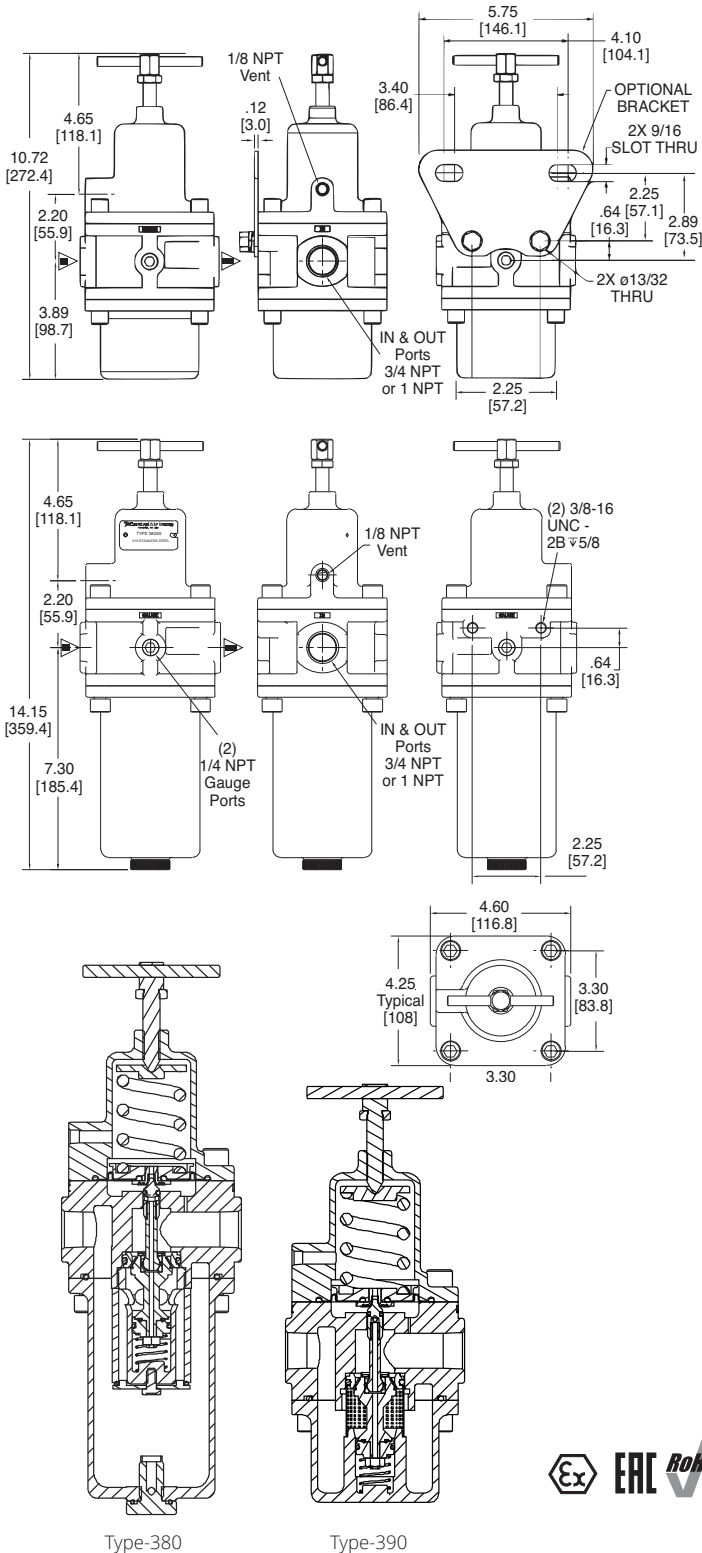


Type 380SS

Type 390SS

# Type 380/390SS Clean, stable performance for tough, dirty process control

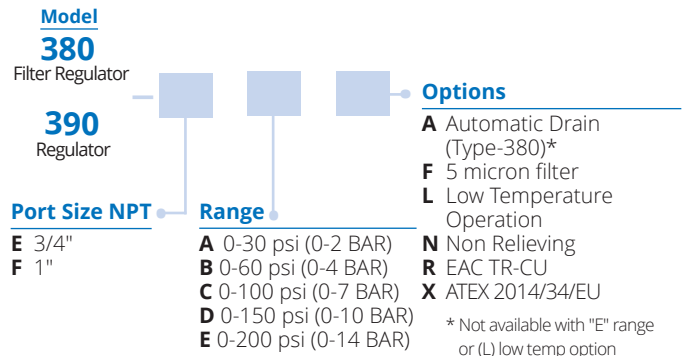
## Dimensions



## Specifications

<b>Output Range psig (bar)</b>	0-30 (0-2), 0-60 (0-4), 0-100 (0-7), 0-150 (0-10), 0-200 (0-14)
<b>Maximum Supply Pressure</b>	290 psig (20.0 BAR) Autodrain: 150 psig (10 BAR)
<b>Maximum Flow Coefficients (Cv)</b>	3/4": 9.0 1": 10.0
<b>Exhaust Capacity</b>	2.0scfm (56.5 NL/min), downstream pressure 10 psig (0.7 bar) above set point
<b>Air Consumption</b>	4 scfh (2 NL/min) maximum
<b>Operating Temperatures</b>	-40°F to +200°F (-40°C to +93°C) Autodrain: 32°F to 200°F (0° to 93°C) Low Temperature: -61°F to +194°F (-52°C to +90°C)
<b>Operating Media</b>	Air, inert gas, sweet (natural gas)
<b>Porting</b>	Inlet/Outlet: 3/4" NPT or 1" NPT Gauge (2): 1/4" NPT Exhaust: 1/8" NPT
<b>Filtration</b>	Type-380: 40 micron standard or 5 micron option Type-390: N/A
<b>Weight</b>	Type-380: 16.6 lbs (7.5 kg) Type-390: 14.5 lbs (6.6 kg)
<b>Materials</b>	316L stainless steel: body, bonnet, filter Nitrile: diaphragm, seals Inconel: valve spring

## Ordering Use this coding system to order



Accessories	Part Number	
1/8" NPT Exhaust Screen Fitting	445-761-005	
Bracket Kit	449-542-051	
Gauge	Range psi (BAR)	
	0-30 (0-2)	445-725-019
	0-60 (0-4)	445-725-020
	0-160 (0-10)	445-725-021

**Warranty** ControlAir LLC products are warranted to be free from defects in materials and workmanship for a period of eighteen months from the date of sale, provided said products are used according to ControlAir LLC recommended usages. ControlAir LLC's liability is limited to the repair, purchase price refund, or replacement in kind, at ControlAir LLC's sole option, of any products proved defective. ControlAir LLC reserves the right to discontinue manufacture of any products or change products materials, designs or specifications without notice. Note: ControlAir does not assume responsibility for the selection, use, or maintenance of any product. Responsibility for the proper selection, use, and maintenance of any ControlAir product remains solely with the purchaser and end user. Drawing downloads available at [www.controlair.com](http://www.controlair.com)

