



Type 2000

Pneumatic and Electro-Pneumatic Valve Positioner

Stable and accurate positioning of rotary and linear valves

The ControlAir Type-2000 pneumatic and electro-pneumatic positioner provides stable and accurate positioning of rotary and linear valves. The force balanced instrument is simple, reliable and user friendly for calibration, maintenance and field upgrades. The electro-pneumatic unit is available with worldwide safety approvals in an Intrinsically Safe and Explosion-proof version. The NEMA-4X (IP 66) housing provides rugged resistance to severe industrial environments. The modular design of the Type-2000 allows multiple feature ordering options or easy field conversions.

Features

- Rotary and linear
- Optional 4-20 mA feedback or mechanical switches
- External zero adjustment for easy calibration
- Vibration, position and shock insensitive
- High gain pilot valve
Provides quick and accurate valve/actuator response
- Standard pointed indicator (rotary), standard blank cover (linear) and optional raised beacon
- High maximum supply pressure
145 psig (10 Bar)
- FM, CSA & ATEX approvals
Intrinsically Safe: CA2010, CA2011
Explosion-proof: CA2020, CA2021
Natural Gas: CA2022, CA2023



Rotary
CA2000/CA2005
CA2010/CA2011

Explosion-proof
CA2020/CA2021

Linear
CA2000/CA2005
CA2010/CA2011

Natural Gas
CA2022/CA2023



Type 2000 Pneumatic and Electro-Pneumatic Valve Positioner

Functional Specifications

Type-2000	Pneumatic (CA2000)		Electro-Pneumatic (CA2005/CA2010/CA2011/CA2020/CA2021)		Electro-Pneumatic (CA2022/CA2023)
	Input Signal	3-15 PSI (0.2-1.0 Bar)		4-20 mA (Ri<250 ohms)	
Supply Pressure	<145 PSI (<10 Bar)		21.8-145 PSI (1.5-10 Bar)		21.8-100 PSI (1.5-7 Bar)
Linearity Error	<0.7 % f.s.		<1.0% f.s.		<0.8% f.s.
Hysteresis	<0.4% f.s.		<0.6% f.s.		<0.5% f.s.
Repeatability	<0.3% f.s.		<0.5% f.s.		<0.4% f.s.
Flow Capacity @29 PSI (2.0 Bar) @87 PSI (6.0 Bar) @145 PSI (10 Bar)	SCFM	NI/min	SCFM	NI/min	
	9.5	268.9	9.5	268.9	
	28.3	800.1	28.3	800.1	
	47.1	1333	47.1	1333	
Air Consumption @29 PSI (2.0 Bar) @87 PSI (6.0 Bar) @145 PSI (10 Bar)	SCFM	NI/min	SCFM	NI/min	
	0.18	5.09	0.2	5.7	
	0.53	424.5	0.6	17.0	
	0.88	707.5	1.0	28.3	
Impedance				260 Ohms @ 70° F	500 Ohms @ 70° F
Loop Load				5.2 Volts @ 20 mA	9.5 Vdc @ 20 mA

Physical Specifications

Temperature Range	-40° to 185° F (-40° to 85° C)	-40° to 158° F (-40° to 70° C)
Port Sizes	Pneumatic: 1/4" NPT; Gauge Ports - 1/8" NPT Electric: 1/2" NPT; M20-1.5 (ATEX)	
Media	Clean, dry, oil-free instrument air, filtered to 40 micron	Sweet natural gas or methane
Enclosure	Nema 4X / IP65 aluminum with polyester epoxy finish	
Weight	3.5 lbs (1.6 kg)	3.8 lbs (1.7 kg) CA2005/CA2010/CA2011
	5.1 lbs (2.3 kg)	5.4 lbs (2.5 kg) CA2005 with feedback 4.8 lbs (2.2 kg) CA2020/CA2021 6.0 lbs (2.7 kg) CA2022/CA2023

Mechanical Switches (S & FS Option)		Mechanical Switches (F & FS Option)	
Input Signal	Honeywell V15S05-CZ100 A05-01	Voltage	Supply 12-30 VDC
Switch Type	SPDT	Output	2 Wire; 4-20 mA DC
Loop Load	5A 125/250 VAC/0.1A 48 VDC	Loop Impedance	Max. 700Ω @ 24 VDC
Operating Force	100gf	Linearity Error	<1.5% f.s.
Position Feedback	<0.3% f.s.	Hysteresis Error	<0.5% f.s.

Approvals (I/PS only)

Model Factory Mutual (FM) & Canadian Standards (CSA) Approvals

2010	Intrinsically Safe Class I, Division 1, Groups A, B, C, D	
	Nonincendive Class I, Division 2, Groups A, B, C, D	
2020	Intrinsically Safe Class I, II & III, Division 1, Groups A, B, C, D, E, F, G	Entity Parameters Ui (Vmax) = 40 VDC Li (Imax) = 150 mA Ci = 0 Li = 0 Pi = 0.7 watts max.
	Explosion-Proof Class I, Division 1, Groups B, C, D	
	Dust Ignition-Proof Class II, III, Division 1, Groups E, F, G	
2022	Intrinsically Safe Class I, II & III, Division 1, Groups C, D, E, F & G	
	Explosion-Proof Class I, II & III, Division 1, Groups B, C, D, E, F & G	

Model ATEX Approvals

2011	Intrinsically Safe II 1 G Ex ia IIC T4/T5/T6	Entity Parameters Ui (Vmax) = 40 VDC Li (Imax) = 150 mA Ci = 0 Li = 0 Pi = 0.7 watts max.
2021	Intrinsically Safe II 1 G Ex ia IIC T4/T5/T6	
	Flame-Proof - ATEX II 2 G Ex d IIB + H2 T6 II 2 D Ex tD A21 T85° C	
2023	Intrinsically Safe II 1 G Ex ia IIB	
	Flameproof II 2 G Ex d II B + H2	

Suitable for use with methane or natural gas supply pressure media.

Suitable for use with methane or natural gas supply pressure media.

Ordering Use this coding system to order

Model
CA20

Type of Motion
R Rotary
L Linear

Cam
C1 90°/180° (Standard Rotary)
C2 45°/90°
C3 30°/60° (Standard Linear)

Type of Positioner
00 P/P Pneumatic
05 E/P Electro-pneumatic; no approvals; general purpose only
10 E/P Electro-pneumatic; FM/CSA Intrinsically Safe
11 E/P Electro-pneumatic; ATEX Intrinsically Safe
20 E/P Electro-pneumatic; FM/CSA Explosion-proof
21 E/P Electro-pneumatic; ATEX Flame-proof
22 E/P Electro-pneumatic; FM/CSA XP, Natural Gas
23 E/P Electro-pneumatic; ATEX Flame-proof, Natural Gas

Spindle
0 Namur (Rotary)
1 Standard (Linear)
2 3/8" Square
3 1/2" Square

Indicator
N None (Standard Linear)
A Arrow (Standard Rotary)
D Dome (Option)

Feedback/ Switches
(factory installed)
CA20-05-R or CA20-00-R only
F 4-20 mA Feedback
S Mechanical Switch (2 spdt)
FS 4-20 mA Feedback & mechanical switches

Accessories

Gauges

0-30 psi (0-2 bar), 1/8" NPT Back Mount	P/N: 446-725-006
0-160 psi (0-11 bar), 1/8" NPT Back Mount	P/N: 446-725-008
0-30 psi (0-2 bar), 1/8" NPT Bottom Mount	P/N: 446-725-033

Mounting Kits

Rotary Namur Bracket Kits (Namur spindle required)

ISO-1 Bracket	P/N: 449-542-032
ISO-2 Bracket	P/N: 449-542-033
ISO-3 Bracket	P/N: 449-542-034
ISO-4 Bracket	P/N: 449-542-035

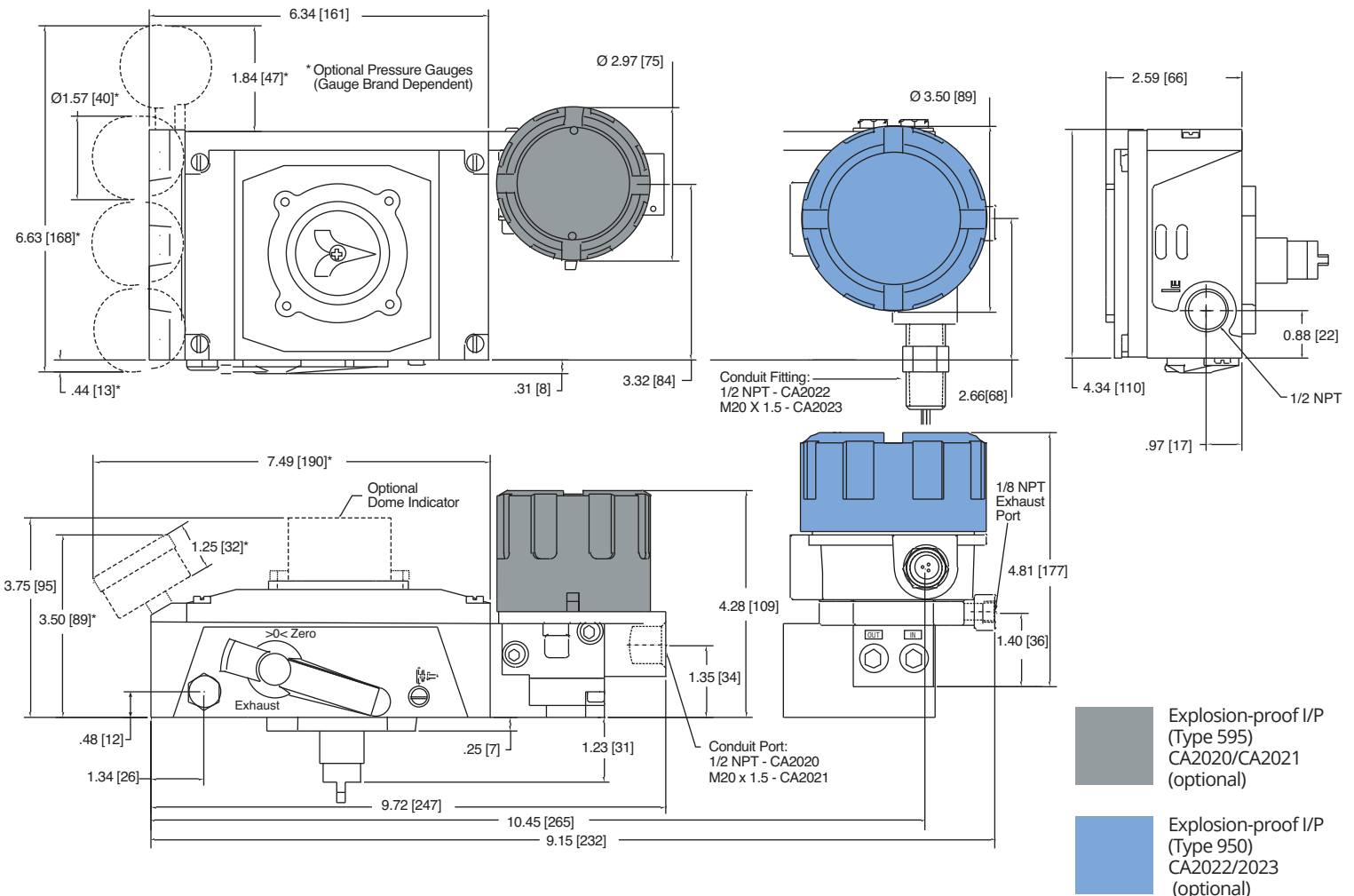
Linear Bracket Kits

Universal	P/N: 449-542-036
Namur IEC534	P/N: 449-542-037

I/P plate assemblies to make quick field conversions are available.

Dimensions In [mm]

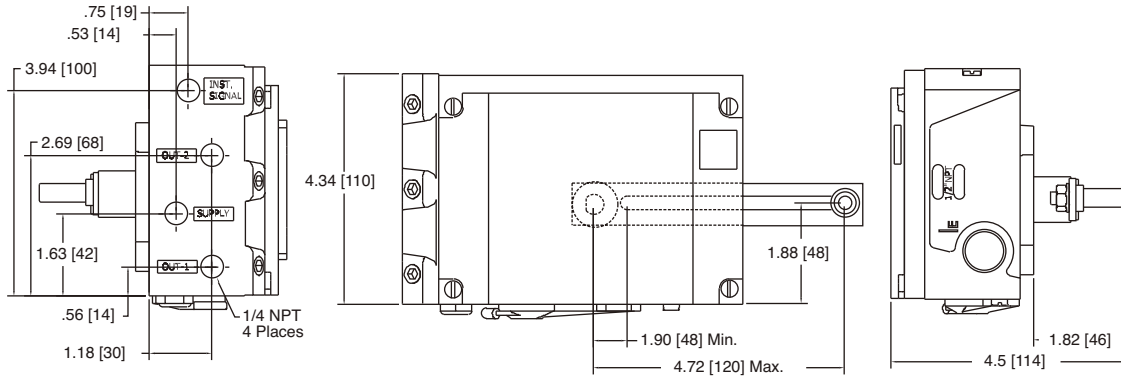
Rotary



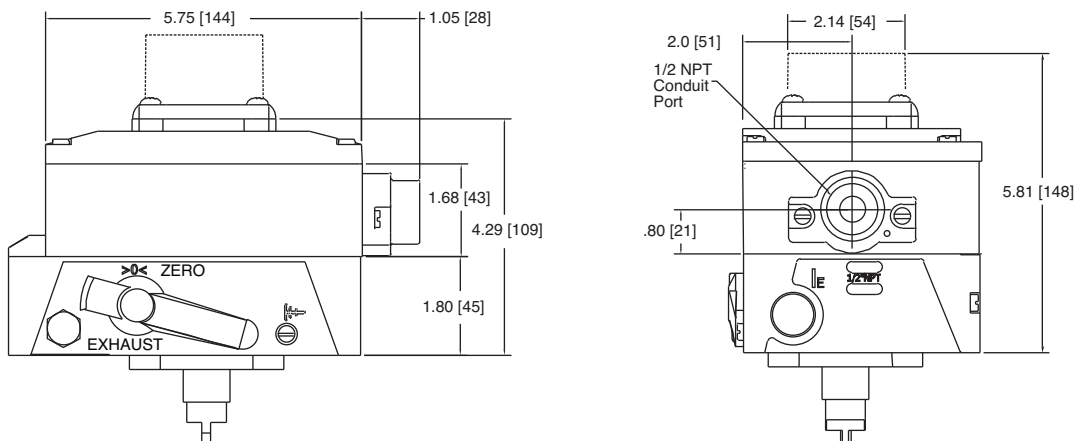
Type 2000 Pneumatic and Electro-Pneumatic Valve Positioner

Dimensions In [mm]

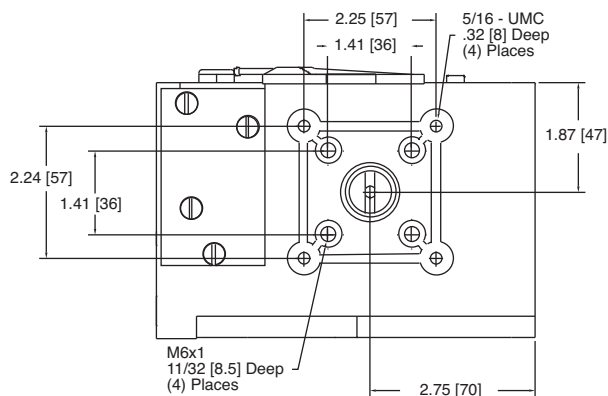
Linear In [mm]



Feedback / Switch (Option)



Mounting view (Back)



Warranty ControlAir LLC products are warranted to be free from defects in materials and workmanship for a period of eighteen months from the date of sale, provided said products are used according to ControlAir LLC recommended usages. ControlAir LLC's liability is limited to the repair, purchase price refund, or replacement in kind, at ControlAir LLC's sole option, of any products proved defective. ControlAir LLC reserves the right to discontinue manufacture of any products or change products materials, designs or specifications without notice. Note: ControlAir does not assume responsibility for the selection, use, or maintenance of any product. Responsibility for the proper selection, use, and maintenance of any ControlAir product remains solely with the purchaser and end user. Drawing downloads available at www.controlair.com

